

LOOP IMPEDANCE / PSC / EARTH TESTER



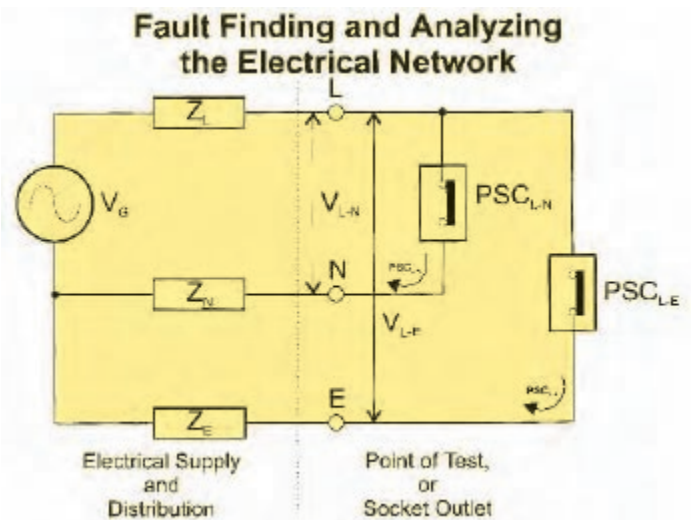
FEATURES

- Microprocessor controlled with advanced safety features.
- Displays and sound warning if external voltage present.
- Displays mains voltage, scroll trough menus.
- Checks wiring integrity (LEDs and display).
- Single button operation.
- Auto-off/auto-ranging.
- Microprocessor controlled.
- Combined prospective short circuit current, PSC and LOOP tester.
- Built-in carry case, test leads in separate pouch.
- Loop test for L-E and L-N and PSC.
- Voltage test L-N and L-E.
- Enables analysis of constituent components in L-E and L-N loops giving resistance of earth, neutral wire, live wire and transformer winding.
- Display can be customized for special orders.
- 60 Hz available on request.
- IEC/EN 61010-1 CAT II 250V

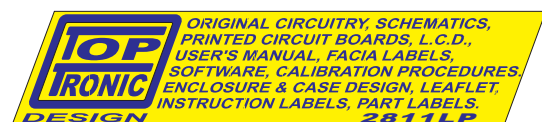
2811LP

SPECIFICATIONS

Loop Impedance Range L-E,L-N	20/200/2000Ω (Auto-Range)
Loop Impedance Test Current	12A at 230V/50Hz
Voltage Measurement L-N,L-E	80 to 250V AC/50Hz
Earth wire/path return resistance	20/200/2000Ω (Auto-Range)
Neutral Wire Return Resistance	20/200/2000Ω (Auto-Range)
Line Wire Return Resistance & Transformer Windings	20/200/2000Ω (Auto-Range)
PSC Current (L-N) Max	3kA
Operating Voltage	230V±20%/Hz
Typical Accuracy	
Loop Impedance	±5%rdg ± 2dgt
PSC Current	±20%rdg ± 5dgt
Voltage	±1%rdg ± 1dgt
Operating-Temperature	-10°C to + 40 °C
-Humidity	80% max relative humidity
Dimensions	170(L)×120(W)×95(D)mm
Weight	780g (battery included)
Power Source	1.5V(AA)×8 Batteries
Accessories	Test leads Shoulder belt Instruction manual Batteries



TEST LEADS



STANDARD ELECTRIC WORKS CO., LTD.

5F.,NO.105, Jhongcheng Rd., Tucheng Dist.,
New Taipei City 23674, Taiwan (R.O.C.)

TEL: 886-2-22681528 FAX: 886-2-22681529

http://www.sew.com.tw e-mail: sales@sew.com.tw

<http://www.51082245.com/sew.htm>